



INFRASET

THE AVENG GROUP



CLASSIPAVE®





CLASSIPAVE®

The photographs in this brochure do not necessarily reflect actual product colours.

ELEGANCE, VERSATILITY AND PRECISION

These precast paving blocks are not only elegant and versatile, but are precision made to such regular tolerances that they can be laid without grouting.

CLASSIPAVE® ELEGANCE

- Warm subtle colours
- A texture that blends naturally into the environment
- Non-slippery when wet
- Moss resistant
- Exciting and interesting shapes and designs can be created.

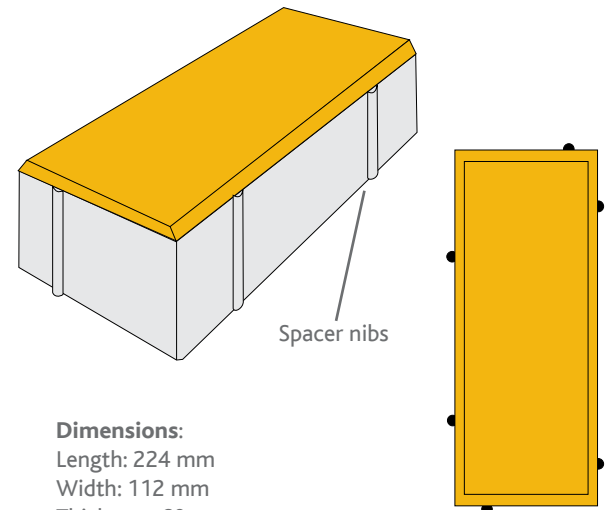
CLASSIPAVE® PRECISION

- Strong and durable
- No grouting needed
- Easily lifted and replaced
- Easy maintenance

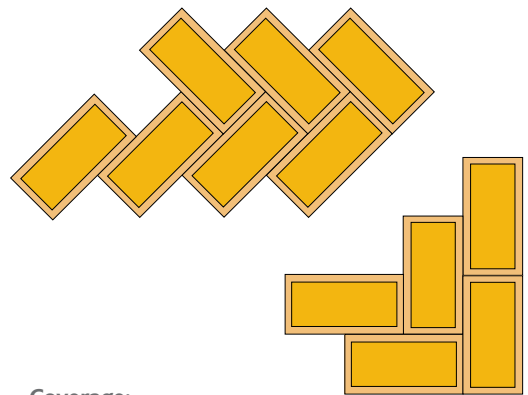
CLASSIPAVE® VERSATILITY

- Driveways, walkways, pedestrian malls, patios, pathways and pool surrounds.

Anywhere you need a surface that looks good, lasts longer and is virtually maintenance free.



Dimensions:
Length: 224 mm
Width: 112 mm
Thickness: 60 mm



Coverage:
Approximately 40 blocks per square metre
Estimating:
Allowance must be made for laying tolerance and edge cutting

KWAZULU-NATAL (Sales Office)
Off Nandi Drive (North), Effingham
PO Box 40313, Redhill, 4071
Tel +27 (0)31 569 6900
Fax +27 (0)31 569 6903
Email infrasetinfo@infraset.com

SABS
ISO 9001

CSA CONCRETE
MANUFACTURERS
ASSOCIATION
Quality cast in concrete

SABS
APPROVED

www.infraset.com